

Descriptions

- High voltage application
- Monitor equipment application

Features

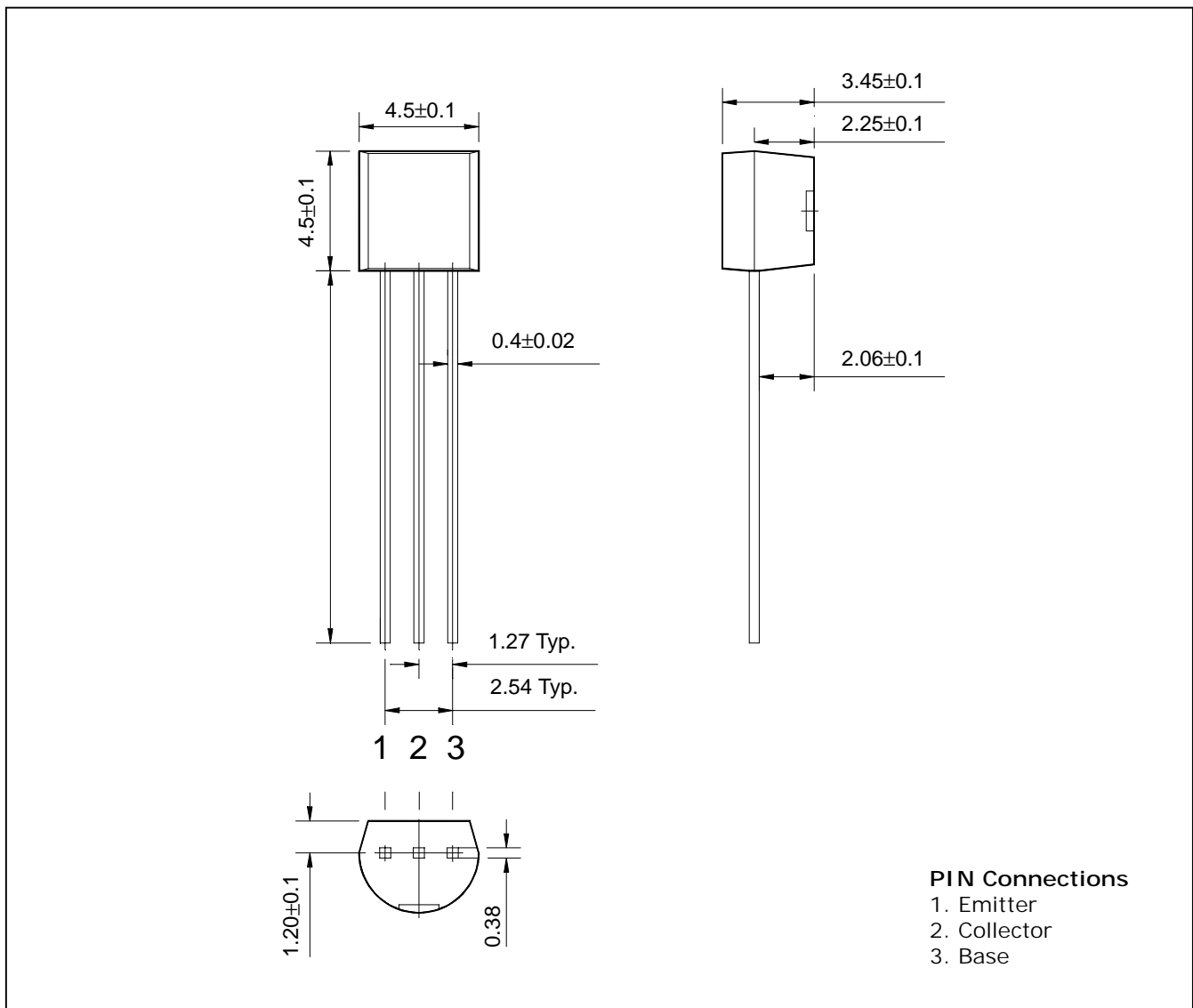
- Collector-Emitter voltage : $V_{CEO} = -250V$
- Complementary pair with BF422

Ordering Information

Type NO.	Marking	Package Code
BF423	BF423	TO-92

Outline Dimensions

unit : mm



Absolute maximum ratings

Characteristic	Symbol	Ratings	Unit
Collector-Base voltage	V_{CBO}	-250	V
Collector-Emitter voltage	V_{CEO}	-250	V
Emitter-base	V_{EBO}	-5	V
Collector current	I_C	-100	mA
Collector dissipation	P_C	625	mW
Junction temperature	T_J	150	°C
Storage temperature	T_{stg}	-55 ~ 150	°C

Electrical Characteristics

Characteristic	Symbol	Test Condition	Min.	Typ.	Max.	Unit
Collector-Emitter breakdown voltage	BV_{CEO}	$I_C = -1\text{mA}, I_B = 0$	-250	-	-	V
Collector cut-off current	I_{CBO}	$V_{CB} = -200\text{V}, I_E = 0$	-	-	-100	nA
Emitter cut-off current	I_{EBO}	$V_{EB} = -5\text{V}, I_C = 0$	-	-	-100	nA
DC current gain	h_{FE}	$V_{CE} = -20\text{V}, I_C = -25\text{mA}$	50	-	-	-
Collector-Emitter saturation voltage	$V_{CE(sat)}$	$I_C = -30\text{mA}, I_B = -5\text{mA}$	-	-	-0.6	V
Transistor frequency	f_T	$V_{CE} = -20\text{V}, I_C = -10\text{mA}, f = 100\text{MHz}$	-	100	-	MHz
Collector output capacitance	C_{ob}	$V_{CB} = -20\text{V}, I_E = 0, f = 1\text{MHz}$	-	1	-	pF